

**FLOOR AND CEILING ANCHORED**

Date Issued 10-19

**PART-1 GENERAL**

## 1.01 DESCRIPTION

- A. Phenolic compartment work includes the following:
  - 1. Floor and Ceiling Anchored partitions.
- B. Furnish all labor and materials necessary for the completion of work in this section as shown on the contract drawings and specified herein.
- C. Work in this section shall include but is not limited to:
  - 1. Toilet compartments
  - 2. Hardware for toilet compartments
  - 3. Shop drawings and working drawings
  - 4. Manufacturer's guarantee
- D. Related work specified elsewhere shall include accessories and anchorage/blocking for attachment of compartments.

## 1.02 PRODUCTS

- A. Submittal of shop drawings and details, for architect's approval.
- B. Colors shall be selected from the manufacturer's standard range of colors.
- C. Color and hardware samples shall be submitted for approval to the architect upon request.

**PART-2 PRODUCTS**

## 2.01 MANUFACTURER

- A. Toilet compartments to be supplied by ASI Global Partitions, Eastanollee, Georgia, 30538.

## 2.02 MATERIALS

- A. Doors shall be constructed of 3/4" solid phenolic with multiple resin-impregnated kraft sheets fused at high temperature and pressure. Phenolic core color shall be the same as the surface sheets.
- B. Panels shall be constructed of 1/2" solid phenolic with multiple resin-impregnated kraft sheets fused at high temperature and pressure. Phenolic core color shall be the same as the surface sheets.
- C. Pilasters shall be constructed of 3/4" solid phenolic with multiple resin-impregnated kraft sheets fused at high temperature and pressure. Phenolic core color shall be the same as the surface sheets.

## 2.03 CONSTRUCTION

- A. Doors shall be constructed of 3/4" solid phenolic with multiple resin-impregnated kraft sheets fused at high temperature and pressure. Phenolic core color shall be the same as the surface sheets. The edges being finished and polished.
- B. Panels shall be constructed of 1/2" solid phenolic with multiple resin-impregnated kraft sheets fused at high temperature and pressure. Phenolic core color shall be the same as the surface sheets. The edges being finished and polished.
- C. Pilasters shall be constructed of 3/4" solid phenolic with multiple resin-impregnated kraft sheets fused at high temperature and pressure. Phenolic core color shall be the same as the surface sheets. The edges being finished and polished. Pilasters shall include a mounting system comprising a 1/4" x 3/4" stainless steel bar attached to the pilaster having 3/8" zinc plated steel bolts secured to nuts imbedded within a contoured aperture transversely piercing the core at least 1" above the mounting end. Each mounting bar shall be secured to the building structure with 3/8" zinc plated steel studs.

## 2.04 HARDWARE (NOTE: Refer to the ORDER INFORMATION CONTRACT for specific hardware to be supplied on your order.)

- A. All exposed door hardware shall be as noted:
  - 1. Heavy-duty diecast (vault) zamac hinge shall have gravity-acting cams and are fabricated from a die cast aluminum alloy with a brushed finish and wrap around flanges. The cam is constructed from a 3/4" diameter nylon rod and a 3/8" stainless steel pin. Slide latch, strike/keeper and hinges are through-bolted onto doors and pilasters using stainless steel vandal-resistant through bolts. Hinges are easily adjusted at the jobsite to a full close or partially open position, as required. Keeper provides for emergency access into the stall by lifting up on the bottom of the door.
  - 2. Optional: Continuous stainless steel hinge. Slide latch, strike/keeper and hinges are through bolted onto doors and pilasters using stainless steel, vandal-resistant through bolts.
- B. Panel and pilaster brackets shall be as noted:
  - 1. Stainless steel stirrup brackets shall be 2" long. Stirrup brackets shall be 1/8" thick and mounted with stainless steel, vandal-resistant screws. Panels shall be attached with stainless steel, vandal-resistant through bolts. The attachment of brackets to the adjacent wall construction shall be accomplished with 2 1/2" stainless steel vandal-resistant screws and plastic anchors.
  - 2. Optional: Continuous heavy duty anodized extruded aluminum (6063-T5 alloy) wall brackets are pre-drilled. Wall brackets are mounted with stainless steel, vandal-resistant screws. The attachment of brackets to the adjacent wall construction shall be accomplished with 2 1/2" stainless steel vandal resistant screws and plastic anchors.
  - 3. Optional: Continuous heavy duty stainless steel wall brackets are pre-drilled. Wall brackets are mounted with stainless steel, vandal-resistant screws. The attachment of brackets to the adjacent wall construction shall be accomplished with 2 1/2" stainless steel vandal resistant screws and plastic anchors.
- C. Pilaster shoes shall be of type 304 steel #4 finish.

**PART-3 EXECUTION**

## 3.01 PREPARATION

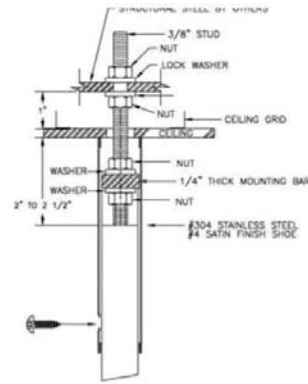
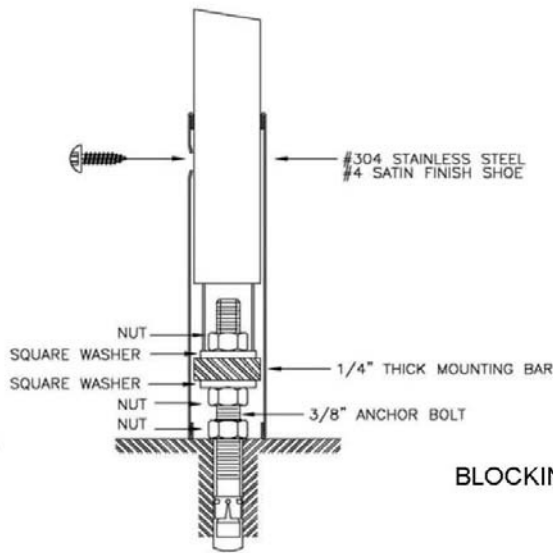
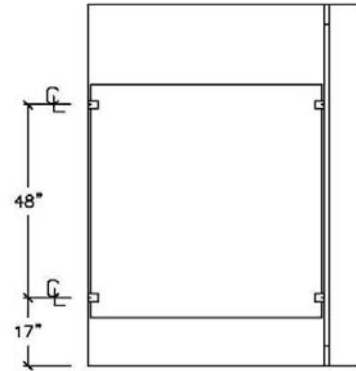
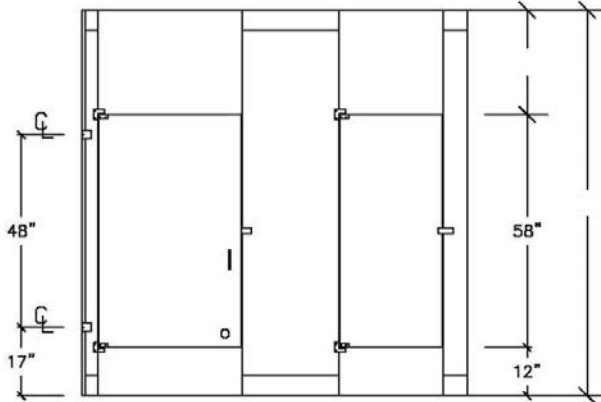
- A. Examine areas to receive toilet compartments for correct height and spacing of anchorage/blocking and plumbing fixtures that may affect installation of compartments. Report any discrepancies to the architect.
- B. Take complete and accurate measurements of toilet compartment locations.
- C. Start of work constitutes acceptance of job.

## 3.02 INSTALLATION

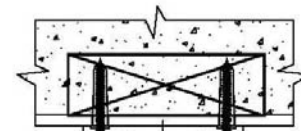
- A. Install compartments in a rigid, straight, plumb and level manner as shown on the shop drawings and manufacturer's installation instructions.
- B. All doors and panels to be mounted at 12" above the finished floor.
- C. Clearance at vertical edges of door shall be uniform top to bottom.
- D. No evidence of cutting, drilling and/or patching shall be visible on the finished work.
- E. Finished surfaces shall be cleaned after installation and be left free of all imperfections.

### 3.03 WARRANTY

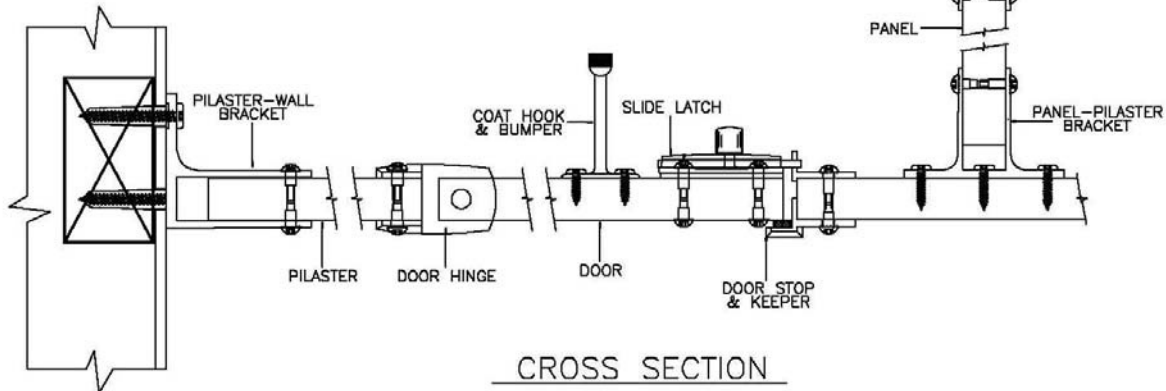
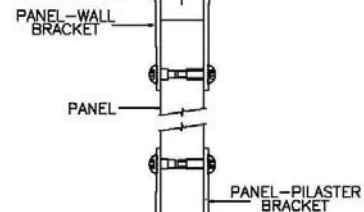
ASI Global Partitions guarantees its phenolic color-thru units, properly maintained, against delamination, breakage or corrosion for 25 years from the date of receipt by the customer. If materials are found defective during that period for the reasons listed above, the material will be replaced free of charge. No credits or allowances will be issued for any labor or expenses relating to the replacement of components covered under the warranty plan. All such expenses are to be borne by the buyer.



### BLOCKING BY OTHERS



### FLOOR MOUNTING DETAIL



### CROSS SECTION